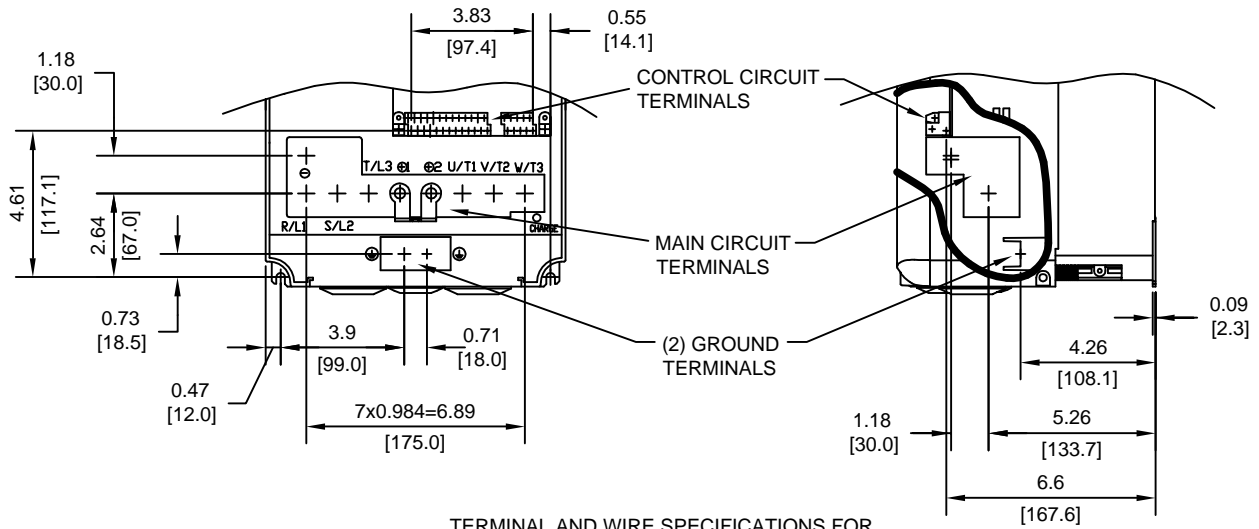


TERMINAL AND WIRING DETAILS (SCALE 1:6)

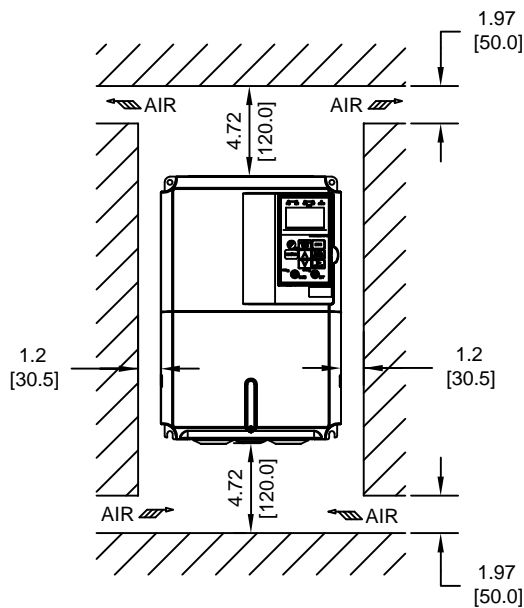


TERMINAL AND WIRE SPECIFICATIONS FOR MAIN CIRCUIT AND GROUND

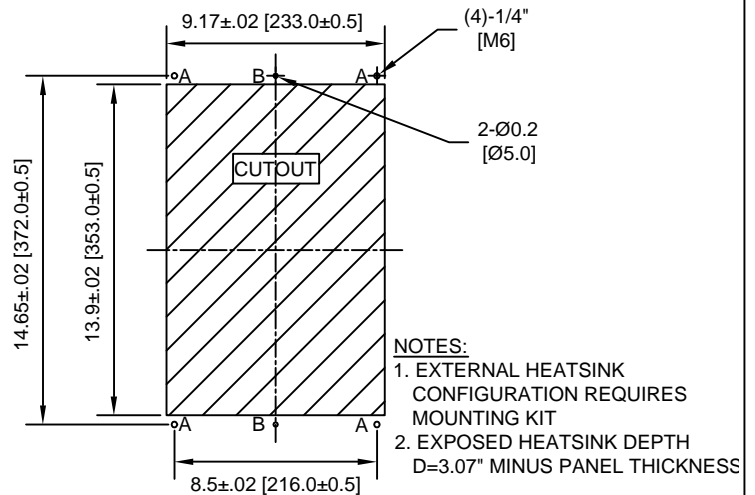
| MODEL # CIMR-E7U | TERMINAL SYMBOL | TERMINAL SCREW | CLAMPING TORQUE lb.in.(N.m.) | WIRE RANGE AWG(mm ²) |
|---------------------|---|----------------|---------------------------------|-------------------------------------|
| 2015 | R/L1, S/L2, T/L3, ⊖, ⊕1, ⊕2, U/T1, V/T2, W/T3 | M6 | 35.2 TO 44.0 (4.0 TO 5.0) | 8-1 (8-50) |
| | ⊕ | M6 | 35.2 TO 44.0 (4.0 TO 5.0) | SEE NOTE |
| 4018 | R/L1, S/L2, T/L3, ⊖, ⊕1, ⊕2, U/T1, V/T2, W/T3 | M6 | 35.2 TO 44.0 (4.0 TO 5.0) | 8-1 (8-50) |
| | ⊕ | M6 | 35.2 TO 44.0 (4.0 TO 5.0) | SEE NOTE |

NOTE: REFER TO APPLICABLE CODES FOR PROPER WIRE TYPE AND SIZE

MINIMUM INSTALLATION CLEARANCES (SCALE 1:10)



PANEL CUTOUT FOR EXTERNAL HEATSINK MOUNTING CONFIGURATION (SCALE 1:8)



- NOTES:
- EXTERNAL HEATSINK CONFIGURATION REQUIRES MOUNTING KIT
 - EXPOSED HEATSINK DEPTH D=3.07" MINUS PANEL THICKNESS

FOR ADDITIONAL DETAILS AND SPECIFICATIONS, CONSULT MANUAL

| | |
|------------------------|---------|
| TOLERANCES/REFERENCES: | |
| UNITS: | SCALE: |
| IN[mm] | BY VIEW |

YASKAWA
A World of Automation Solutions™

YASKAWA ELECTRIC AMERICA, INC.
Corporate Headquarters
2121 Norman Drive South
Waukegan, IL 60085
1-800-YASKAWA
http://www.yaskawa.com

| | | | |
|---------------------------------------|----------------|--------------------------------|-----------------|
| DRAWN: J. MATTAS | DATE 4-6-05 | TITLE: E7 DIMENSION DRAWING | |
| CHECKED: M. RUCINSKI | DATE 5-3-05 | FRAME SIZE 4A | |
| TECH: J. CAIRO | DATE 4-7-05 | NEMA TYPE 1/IP20 AND IP00 | |
| APPROVED: T. SASADA | DATE 6-8-05 | SIZE A | REVISION R00 |
| ORIGINAL DESIGN: - | DATE - | PAGE 2 of 2 | |
| DRAWING #: DD.E7.FR4A.N1.01 | | | |